



PRODUCT GUIDE

renatta

SWITCHING POWER SUPPLY

HDR Series



概述 Summary

- > 单组输出：功率10W
Single output: power 10W
- > 输入电压：85 ~ 264VAC 120 ~ 370VDC
Input voltage: 85 ~ 264VAC 120 ~ 370VDC

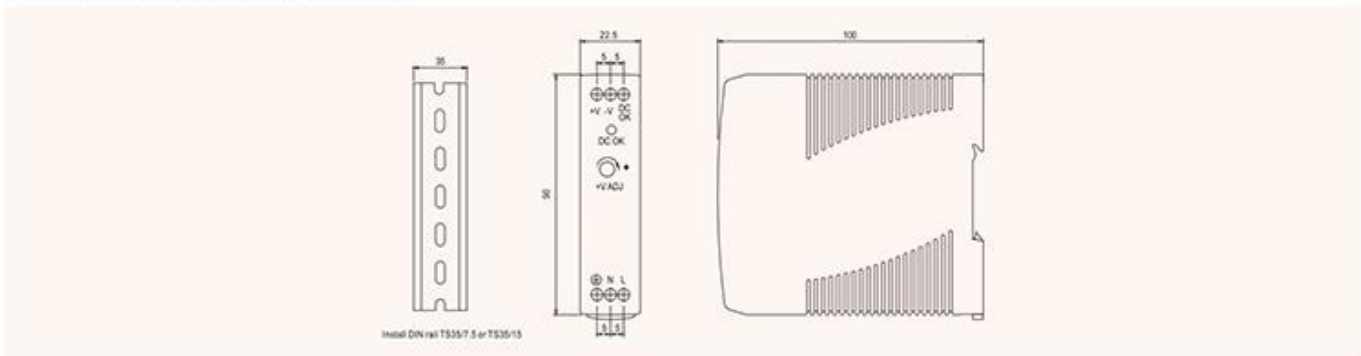


常见规格 General Specification

22.5×90×100mm

性能 Specification	型号 Model	MDR-10-5	MDR-10-12	MDR-10-15	MDR-10-24
直流输出电压、电流 DC output voltage, current		5V 0~2A	12V 0~0.84A	15V 0~0.6A	24V 0~0.42A
纹波及噪音 Wave and noise		80mVp-p	120mVp-p	120mVp-p	150mVp-p
进线稳定度 Inlet wire stability		±1%	±1%	±1%	±1%
负载稳定度 Load stability		±1%	±1%	±1%	±1%
效率 Efficiency		76%	80%	81%	84%
直流电压可调范围 Adjustable range for DC voltage		±2%	±1%	±1%	±1%
输入电压范围 Input voltage range	85 ~ 264VAC 120 ~ 370VDC 47 ~ 63Hz				
冲击电流 Impact current	冷启动电流 Cold start current 20A/115VAC 40A/230VAC				
过载保护 Overload protection	105% ~ 160%切断输出，自动恢复 105% ~ 160% cut off the output, automatic recovery				
过电压保护 Over voltage protection	120% ~ 140%关闭输出，电源重启后可恢复输出 120% ~ 140% shut down O/P voltage, re-power on to recover				
启动、上升、保持时间 Setup, rise, hold up time	500ms, 30ms/230VAC满负载 at full load 1000ms, 30ms/115VAC 满负载 at full load				
耐压性 Withstand voltage	输入输出间：1.5kV 输入与外壳间：1.5kV 输出与外壳间：0.5kV 一分钟 I/P-O/P: 1.5kV I/P-FG: 1.5kV O/P-FG: 0.5kV 1minute				
隔离电阻 Isolation resistance	输入输出间 输入与外壳间 输出与外壳间：500VDC/100MΩ I/P-O/P I/P-FG O/P-FG: 500VDC/100MΩ				
工作温度 Working temperature	-10℃ ~ +50℃				
尺寸 Dimension	22.5 × 90 × 100mm				
重量 Weight	0.19kg				
包装 Packing	45.5 × 31.5 × 23CM/90PCS/18kg				

外形尺寸 Overall dimension(mm)



概述 Summary

- > 单组输出：功率20W
Single output: power 20W
- > 输入电压：85 ~ 264VAC 120 ~ 370VDC
Input voltage: 85 ~ 264VAC 120 ~ 370VDC

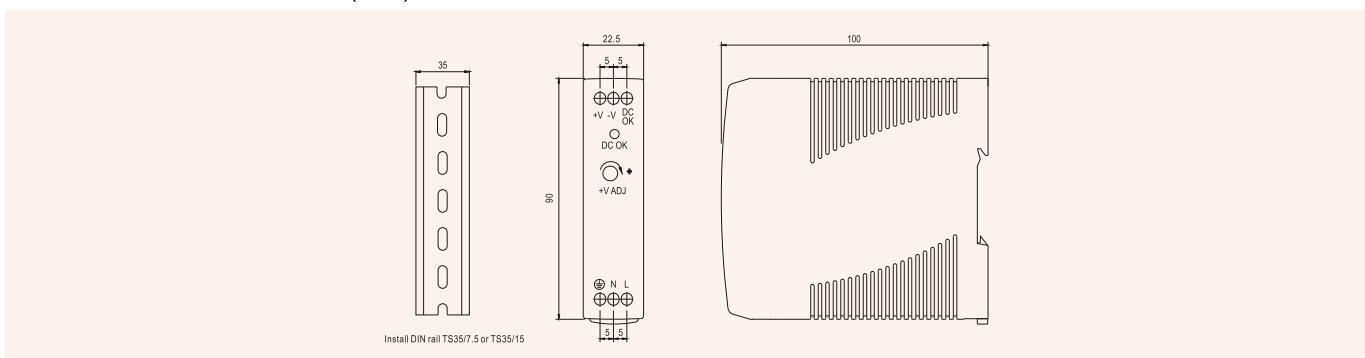


常见规格 General Specification

22.5 × 90 × 100mm

性能 Specification	型号 Model	MDR-20-5	MDR-20-12	MDR-20-15	MDR-20-24
直流输出电压、电流 DC output voltage, current		5V 0~3A	12V 0~1.67A	15V 0~1.34A	24V 0~1A
纹波及噪音 Wave and noise		80mVp-p	120mVp-p	120mVp-p	150mVp-p
进线稳定度 Inlet wire stability		± 1%	± 1%	± 1%	± 1%
负载稳定度 Load stability		± 1%	± 1%	± 1%	± 1%
效率 Efficiency		76%	80%	81%	84%
直流电压可调范围 Adjustable range for DC voltage		± 2%	± 1%	± 1%	± 1%
输入电压范围 Input voltage range	85 ~ 264VAC 120 ~ 370VDC 47 ~ 63Hz				
冲击电流 Impact current	冷启动电流 Cold start current 20A/115VAC 40A/230VAC				
过载保护 Overload protection	105% ~ 160%切断输出，自动恢复 105% ~ 160% cut off the output, automatic recovery				
过电压保护 Over voltage protection	120% ~ 140%关闭输出，电源重启后可恢复输出 120% ~ 140% shut down O/P voltage, re-power on to recover				
启动、上升、保持时间 Setup, rise, hold up time	500ms, 30ms/230VAC满负载 at full load 1000ms, 30ms/115VAC 满负载 at full load				
耐压性 Withstand voltage	输入输出间：1.5kV 输入与外壳间：1.5kV 输出与外壳间：0.5kV 一分钟 I/P-O/P: 1.5kV I/P-FG: 1.5kV O/P-FG: 0.5kV 1minute				
隔离电阻 Isolation resistance	输入输出间 输入与外壳间 输出与外壳间：500VDC/100MΩ I/P-O/P I/P-FG O/P-FG: 500VDC/100MΩ				
工作温度 Working temperature	-10°C ~ +50°C				
尺寸 Dimension	22.5 × 90 × 100mm				
重量 Weight	0.19kg				
包装 Packing	45.5 × 31.5 × 23CM/90PCS/18kg				

外形尺寸 Overall dimension(mm)



概述 Summary

- > 单组输出：功率40W
Single output: power 40W
- > 输入电压：85 ~ 264VAC 120 ~ 370VDC
Input voltage: 85 ~ 264VAC 120 ~ 370VDC

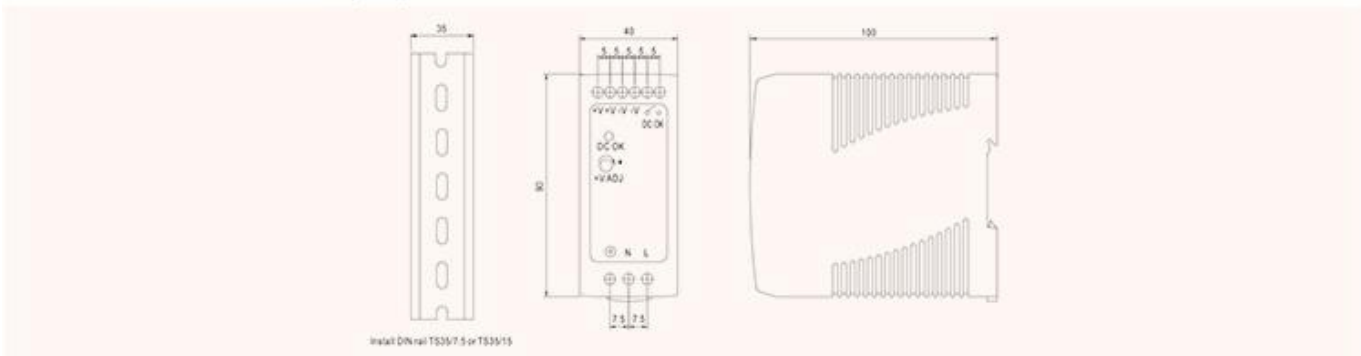


常见规格 General Specification

40×90×100mm

性能 Specification	型号 Model	MDR-40-5	MDR-40-12	MDR-40-24	MDR-40-48
直流输出电压、电流 DC output voltage, current		5V 0~6A	12V 0~3.33A	24V 0~1.7A	48V 0~0.83A
纹波及噪音 Wave and noise		80mVp-p	120mVp-p	150mVp-p	200mVp-p
进线稳定度 Inlet wire stability		±1%	±1%	±1%	±1%
负载稳定度 Load stability		±1.5%	±1%	±1%	±1%
效率 Efficiency		76%	80%	81%	84%
直流电压可调范围 Adjustable range for DC voltage		±2%	±1%	±1%	±1%
输入电压范围 Input voltage range		85 ~ 264VAC 120 ~ 370VDC 47 ~ 63Hz			
冲击电流 Impact current		冷启动电流 30A/115VAC 60A/230VAC Cold start current			
过载保护 Overload protection		105% ~ 150%切断输出, 自动恢复 105% ~ 150% cut off the output, automatic recovery			
过电压保护 Over voltage protection		120% ~ 140%关闭输出, 电源重启后可恢复输出 120% ~ 140% shut down O/P voltage, re-power on to recover			
启动、上升、保持时间 Setup, rise, hold up time		500ms, 30ms/230VAC 满负载 at full load 500ms, 30ms/115VAC 满负载 at full load			
耐压性 Withstand voltage		输入输出间: 1.5kV 输入与外壳间: 1.5kV 输出与外壳间: 0.5kV 一分钟 I/P-O/P: 1.5kV I/P-FG: 1.5kV O/P-FG: 0.5kV 1minute			
隔离电阻 Isolation resistance		输入输出间 输入与外壳间 输出与外壳间: 500VDC/100MΩ I/P-O/P I/P-FG O/P-FG: 500VDC/100MΩ			
工作温度 Working temperature		-10℃ ~ +50℃			
尺寸 Dimension		40 x 90 x 100mm			
重量 Weight		0.33kg			
包装 Packing		45 x 90 x 100CM			

外形尺寸 Overall dimension(mm)



MDR-60W单组输出导轨电源 MDR-60W Single output DIN rail power supply

概述 Summary

- > 单组输出：功率60W
Single output: power 60W
- > 输入电压：85 ~ 264VAC 120 ~ 370VDC
Input voltage: 85 ~ 264VAC 120 ~ 370VDC

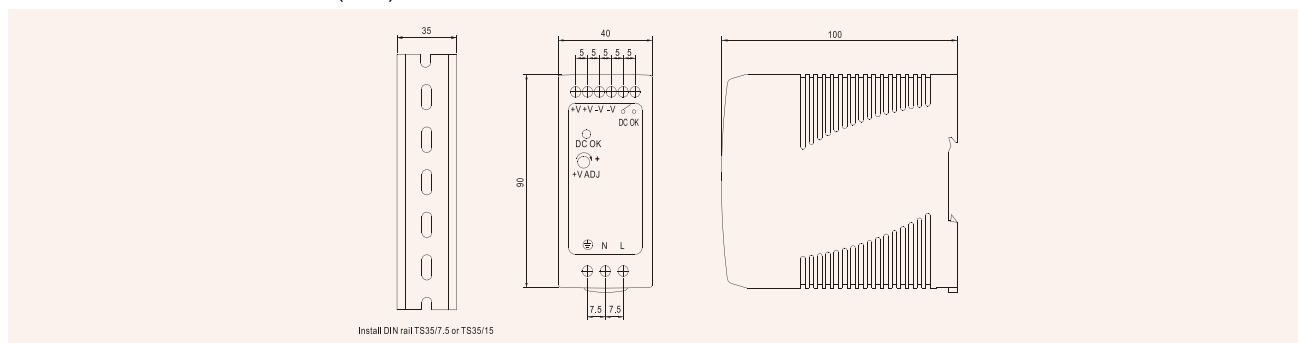


常见规格 General Specification

40 × 90 × 100mm

性能 Specification	型号 Model	MDR-60-5	MDR-60-12	MDR-60-24	MDR-60-48
直流输出电压、电流 DC output voltage, current		5V 0~10A	12V 0~5A	24V 0~2.5A	48V 0~1.25A
纹波及噪音 Wave and noise		80mVp-p	120mVp-p	150mVp-p	200mVp-p
进线稳定度 Inlet wire stability		±1%	±1%	±1%	±1%
负载稳定度 Load stability		±1.5%	±1%	±1%	±1%
效率 Efficiency		76%	80%	81%	84%
直流电压可调范围 Adjustable range for DC voltage		±2%	±1%	±1%	±1%
输入电压范围 Input voltage range		85~264VAC 120~370VDC 47~63Hz			
冲击电流 Impact current		冷启动电流 30A/115VAC 60A/230VAC Cold start current			
过载保护 Overload protection		105%~150%切断输出，自动恢复 105%~150% cut off the output, automatic recovery			
过电压保护 Over voltage protection		120%~140%关闭输出，电源重启后可恢复输出 120%~140% shut down O/P voltage, re-power on to recover			
启动、上升、保持时间 Setup, rise, hold up time		500ms, 30ms/230VAC 满负载 at full load 500ms, 30ms/115VAC 满负载 at full load			
耐压性 Withstand voltage		输入输出间：1.5kV 输入与外壳间：1.5kV 输出与外壳间：0.5kV 一分钟 I/P-O/P: 1.5kV I/P-FG: 1.5kV O/P-FG: 0.5kV 1minute			
隔离电阻 Isolation resistance		输入输出间 输入与外壳间 输出与外壳间：500VDC/100MΩ I/P-O/P I/P-FG O/P-FG: 500VDC/100MΩ			
工作温度 Working temperature		-10°C ~ +50°C			
尺寸 Dimension		40 × 90 × 100mm			
重量 Weight		0.33kg			
包装 Packing		45.5 × 32.5 × 23CM/60PCS/20kg			

外形尺寸 Overall dimension(mm)



概述 Summary

- > 单组输出: 功率100W
Single output: power 100W
- > 输入电压: 85 ~ 264VAC 120 ~ 370VDC
Input voltage: 85 ~ 264VAC 120 ~ 370VDC



常见规格 General Specification

55×90×100mm

性能 Specification	型号 Model	MDR-100-12	MDR-100-15	MDR-100-24	MDR-100-48
直流输出电压、电流 DC output voltage, current		12V 0 ~ 7.5A	15V 0 ~ 6.6A	24V 0 ~ 4.16A	48V 0 ~ 2A
纹波及噪音 Wave and noise		120mVp-p	120mVp-p	150mVp-p	200mVp-p
进线稳定度 Inlet wire stability		± 1%	± 1%	± 1%	± 1%
负载稳定度 Load stability		± 1.5%	± 1%	± 1%	± 1%
效率 Efficiency		83%	83%	86%	87%
直流电压可调范围 Adjustable range for DC voltage		± 1%	± 1%	± 1%	± 1%
输入电压范围 Input voltage range		85 ~ 264VAC 120 ~ 370VDC 47 ~ 63Hz			
冲击电流 Impact current		冷启动电流 30A/115VAC 60A/230VAC Cold start current			
过载保护 Overload protection		105% ~ 150%切断输出, 自动恢复 105% ~ 150% cut off the output, automatic recovery			
过电压保护 Over voltage protection		120% ~ 140%关闭输出, 电源重启后可恢复输出 120% ~ 140% shut down O/P voltage, re-power on to recover			
启动、上升、保持时间 Setup, rise, hold up time		3000ms, 50ms/230VAC 满负载 at full load 3000ms, 50ms/115VAC 满负载 at full load			
耐压性 Withstand voltage		输入输出间: 1.5kV 输入与外壳间: 1.5kV 输出与外壳间: 0.5kV 一分钟 I/P-O/P: 1.5kV I/P-FG: 1.5kV O/P-FG: 0.5kV 1minute			
隔离电阻 Isolation resistance		输入输出间 输入与外壳间 输出与外壳间: 500VDC/100MΩ I/P-O/P I/P-FG O/P-FG: 500VDC/100MΩ			
工作温度 Working temperature		-10℃ ~ +50℃			
尺寸 Dimension		55 x 90 x 100mm			
重量 Weight		0.45kg			
包装 Packing		60 x 90 x 100CM			

外形尺寸 Overall dimension(mm)

